



The green side



Emilceramica brand products are manufactured at the Emilceramica S.p.A. plants, which operate a Quality Management System certified since 1997 in compliance with the UNI EN ISO 9001 standard (updated to the UNI EN ISO 9001:2008 edition in 2009). In September 2011 Emilceramica S.p.A. obtained certification of its Environmental Management System, implemented in accordance with the UNI EN ISO 14001:2004 standard and applied to all production sites with the aim of highlighting the company's capability for systematically keeping under control both of the legal requirements contained in the Italian Law on the Environment and the voluntary undertakings made for ethical, proactive corporate management in terms of environmental protection. In June 2014, Emilceramica S.p.A. achieved an additional objective with certification of its Occupational Health and Safety Management System, implemented under the BS OHSAS 18001:2007 standard and applied throughout the organisation. Over and above its compulsory compliance with the legal requirements, Emilceramica has introduced the additional requirements of the voluntary standard BS OHSAS 18001:2007 to give concrete expression to the "spirit of prevention" central to its operations throughout its history.

Emilceramica S.p.A. corporate policy has always been based on respect for the environment. Over the years, the company has implemented genuine environmental protection projects, with the aim of reducing the environmental impact of products and processes. These have included:

COMPLETE WASTEWATER RECYCLING



In 1982 Emilceramica S.p.A. became one of the first companies in the industry to establish a closed water cycle. After chemical-physical treatment, all wastewater from the production plants is reused in the tile body mix grinding process.

TOTAL RECYCLING OF PROCESSING WASTE AND SLUDGE



Emilceramica S.p.A. has been reusing unfired reject tiles and ceramic sludge in its tile body mixes since 1989, thanks to an authorisation originally granted on a trial basis.

PRODUCTION OF OWN ELECTRICITY WITH A COGENERATION PLANT



Emilceramica S.p.A. installed a cogeneration plant enabling it to produce its own electricity in 1992.

FULLY RECYCLABLE PACKAGING MATERIALS



Emilceramica S.p.A. has been using fully recyclable packaging materials (paper, cardboard boxes, pallet hood plastic and wooden pallets treated in compliance with FAO regulations) since 2000.

LIFE CYCLE ASSESSMENT



Since 2012: LCA-LIFE CYCLE ASSESSMENT determines the CARBON FOOTPRINT of ceramic tiles for floors and walls. Since 2013: the LCA of Emilceramica products holds Certification of Conformity with the requirements of the UNI EN ISO 14044:2006 and UNI EN ISO 14040:2006 standards by Certiquality.

EPD



Since 2013: preparation and verification of the EPDs – ENVIRONMENTAL PRODUCT DECLARATIONS, subdivided by category: Bla GL - Bla UGL – BIII. Since 2014: Registration and issuance of the EPDs on the INIES site (<http://www.base-inies.fr/Inies/Consultation.aspx> in "Overview-EPD by reporting organism" section).



Member since 2008



Member since 2010

LEED CREDITS

99 VOLTE

LEED 2009	NC - CI - CS SCHOOLS*	HOME	
SUSTAINABLE SITES Heat island effect: NON ROOF Solar Reflectance Index - SRI>29	SS 7,1	SS 3	Bianco Opaco Crema Opaco
ENERGY AND ATMOSPHERE Optimize energy performance	EA 1	EA 1	1,0 - 1,3 W/mK
MATERIALS AND RESOURCES Construction waste management	MR 2	MR 2	<u>sheet attached</u>
MATERIALS AND RESOURCES Recycled content	MR 4	-	pre-consumer: 7,5%
INDOOR ENVIRONMENTAL QUALITY Low emitting materials - flooring systems	IEQ 4,3	-	No VOC Emissions

*NC= LEED 2009 New Construction; CI= LEED 2009 Commercial Interior; CS= LEED 2009 Core & Shell; SCHOOL= LEED 2009 Schools.



LEED_V4 BUILDING PRODUCT DISCLOSURE AND OPTIMIZATION – ENVIRONMENTAL PRODUCTS - MRc2

Product-specific declaration (Certificate attached)

Product with a publicly available, critically reviewed life-cycle assessment (LCA) compliant to ISO 14044 and ISO 14040 with "cradle to gate" scope.

Environmental Product Declaration which conform to ISO 14025-14040-14044 and EN15804 (visit www.inies.fr)

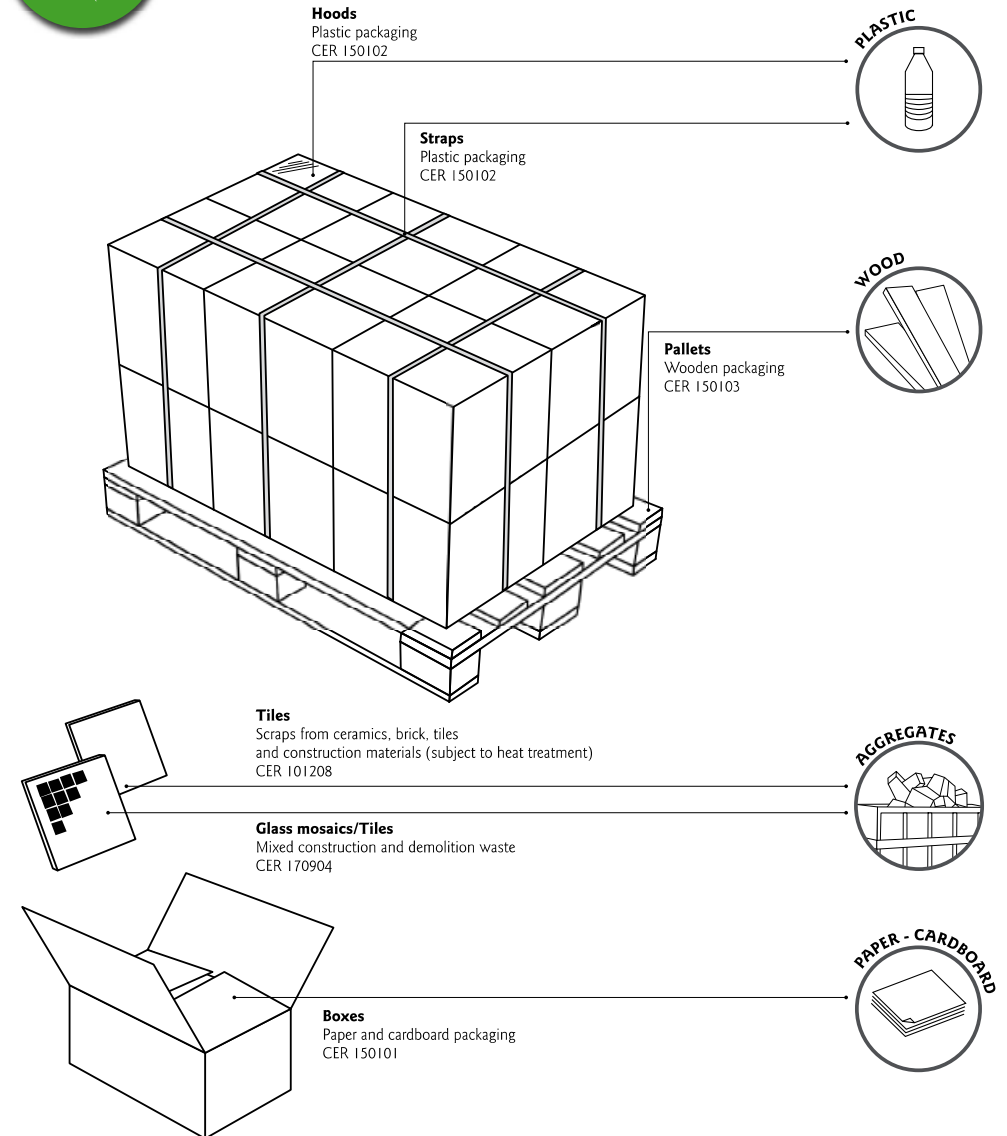
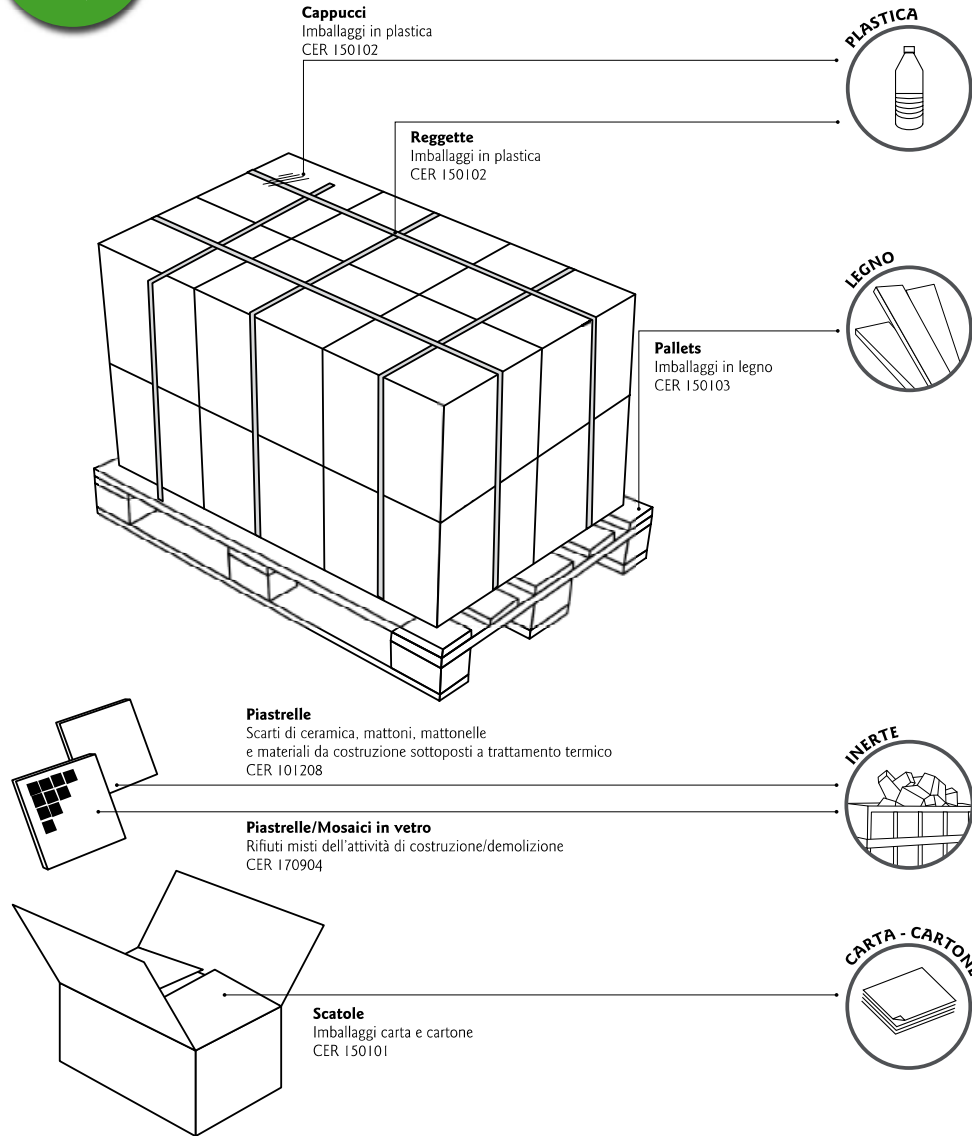
Product-specific Type III-EPD in which Emilceramica is explicitly recognized as the participant by the program operator.



L'ambiente è anche tuo:
aiutaci a rispettarlo.



The environment is yours too:
help us to respect it.



CONSORZI ITALIANI PER LA RACCOLTA, RECUPERO E RICICLAGGIO DEGLI IMBALLAGGI

ITALIAN PACKAGING COLLECTION, RECOVERY AND RECYCLING CONSORTIA



RILEGNO
www.rilegno.it
Consorzio nazionale
per la raccolta, il recupero
ed il riciclaggio
degli imballaggi in legno.



COREPLA
www.corepla.it
Consorzio nazionale
per la raccolta, il recupero
ed il riciclaggio degli imballaggi in
plastica.



COMIECO
www.comieco.it
Consorzio nazionale
per la raccolta, il recupero ed
il riciclaggio degli imballaggi in
base cellulosa.

Emilceramica è iscritta al CONAI (Consorzio Nazionale Imballaggi) CODICE SOCIO 11001608 in quanto utilizzatore di imballi.
Emilceramica aderisce al Sistema Pari (Piano per la gestione autonoma dei rifiuti di imballaggio) del CARPI (Consorzio autonomo riciclo plastiche Italia)



RILEGNO
www.rilegno.it
National wooden packaging
collection, recovery and recycling
consortium.



COREPLA
www.corepla.it
National plastic packaging
collection, recovery and recycling
consortium.



COMIECO
www.comieco.it
National cellulose-based packaging
collection, recovery and recycling
consortium.

Emilceramica is member number 11001608 of the CONAI (National Packaging Consortium) as a user of packaging.
Emilceramica is also a member of the Pari (Independent packaging waste management plan) System of the CARPI (Italian independent plastic recycling consortium)



ISTITUTO DI CERTIFICAZIONE DELLA QUALITÀ

ATTESTATO DI CONFORMITA'
STUDIO DEL CICLO DI VITA DEL PRODOTTO
LIFE CYCLE ASSESSMENT
P1925

RILASCIATO A
ISSUED TO

Emilceramica S.p.A.
via Ghiarola Nuova 29
41042 Fiorano Modenese (MO)

PER IL SEGUENTE PRODOTTO
FOR THE FOLLOWING PRODUCT

Ceramic tile products

*LCA Background Report - Dichiarazione ambientale di prodotto secondo la norma AFNOR NF P01-010
FDES dei propri prodotti ceramici del 10/10/2014*

IN CONFORMITA' AI REQUISITI
IN COMPLIANCE WITH

UNI EN ISO 14040:2006
UNI EN ISO 14044:2006

PRIMA EMISSIONE <i>FIRST ISSUE</i>	30/05/2013
EMISSIONE CORRENTE <i>CURRENT ISSUE</i>	04/11/2014
DATA DI SCADENZA <i>EXPIRY DATE</i>	29/05/2016

C LCA ED 00 190612



CERTIQUALITY S.r.l.